

# Technical data sheet



## Product features

### Fry Top Griddle 65x48 gas durable chrome smooth desktop

<b>Model</b>	<b>SAP Code</b>	00021138
--------------	-----------------	----------



- Top type: Smooth
- Griddle dimensions [mm x mm]: 650 x 480
- Griddle thickness [mm]: 10.00
- Container for liquid fat: Yes
- Independent heating zones: Separate control for each heating zone
- Maximum device temperature [°C]: 300
- Surface finish: durable chrome
- Removable rim: No
- Ignition: Piezo

<b>SAP Code</b>	00021138	<b>Power gas [kW]</b>	8.000
<b>Net Width [mm]</b>	658	<b>Type of gas</b>	Propane butane, natural gas
<b>Net Depth [mm]</b>	598	<b>Griddle dimensions [mm x mm]</b>	650 x 480
<b>Net Height [mm]</b>	285	<b>Top type</b>	Smooth
<b>Net Weight [kg]</b>	45.00		

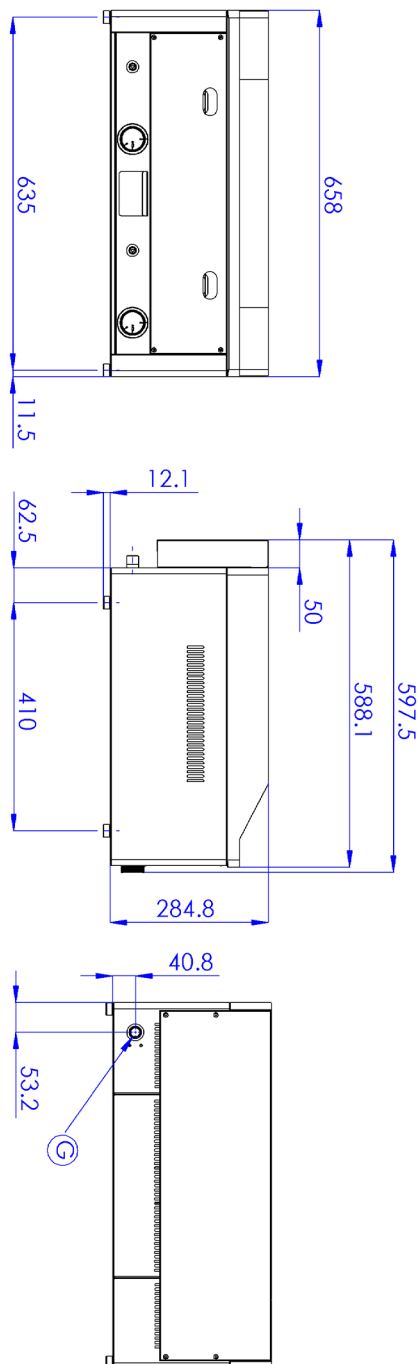
# Technical data sheet



Technical drawing

## Fry Top Griddle 65x48 gas durable chrome smooth desktop

<b>Model</b>	<b>SAP Code</b>	00021138
--------------	-----------------	----------



# Technical data sheet



## Product benefits

### Fry Top Griddle 65x48 gas durable chrome smooth desktop

Model

SAP Code

00021138

1

#### Safety element - thermocouple

Safe service for staff  
There is no unnecessary gas leakage  
long life

- Savings on service interventions
- easy and faster service

2

#### Nationheres

long life  
stainless steel resistance of AISI 304  
the material does not rue

- Savings on service interventions
- easy cleaning of the device

3

#### Degree of protection of controls IPX4

maintenance -free  
water resistance  
long life

- Savings on service interventions
- easy cleaning of the device

4

#### Waste fluid socket

ensures oil dripping into a socket

- easy maintenance
- easy to clean

5

#### Tall non -removable hem

Better Hygienic Conditions  
Preventing fat spraying on a secondary device

- easy maintenance
- easy to clean

6

#### Chrome steel plate

The product is less baked and cleaned better  
good warming of meat with groove

- saving time when preparing meals
- There is no disabled and long preparation of dishes

7

#### A kernel for use on a table or on a bedding

variable  
Possibility to place in smaller spaces

- easy manipulation
- saving costs on the bedding

# Technical data sheet



## Technical parameters

### Fry Top Griddle 65x48 gas durable chrome smooth desktop

<b>Model</b>	<b>SAP Code</b>	00021138
--------------	-----------------	----------

**1. SAP Code:**

00021138

**2. Net Width [mm]:**

658

**3. Net Depth [mm]:**

598

**4. Net Height [mm]:**

285

**5. Net Weight [kg]:**

45.00

**6. Gross Width [mm]:**

640

**7. Gross depth [mm]:**

725

**8. Gross Height [mm]:**

410

**9. Gross Weight [kg]:**

50.00

**10. Device type:**

Gas unit

**11. Construction type of device:**

Table top

**12. Power gas [kW]:**

8.000

**13. Ignition:**

Piezo

**14. Type of gas:**

Propane butane, natural gas

**15. Protection of controls:**

IPX4

**16. Material:**

AISI 430

**17. Surface finish:**

durable chrome

**18. Maximum device temperature [°C]:**

300

**19. Minimum device temperature [°C]:**

50

**20. Adjustable feet:**

Yes

**21. Griddle dimensions [mm x mm]:**

650 x 480

**22. Griddle thickness [mm]:**

10.00

**23. Container for liquid fat:**

Yes

**24. Independent heating zones:**

Separate control for each heating zone

**25. Removable rim:**

No

**26. Uniform heating:**

Yes

**27. Top type:**

Smooth

**28. Connection to a ball valve:**

1/2